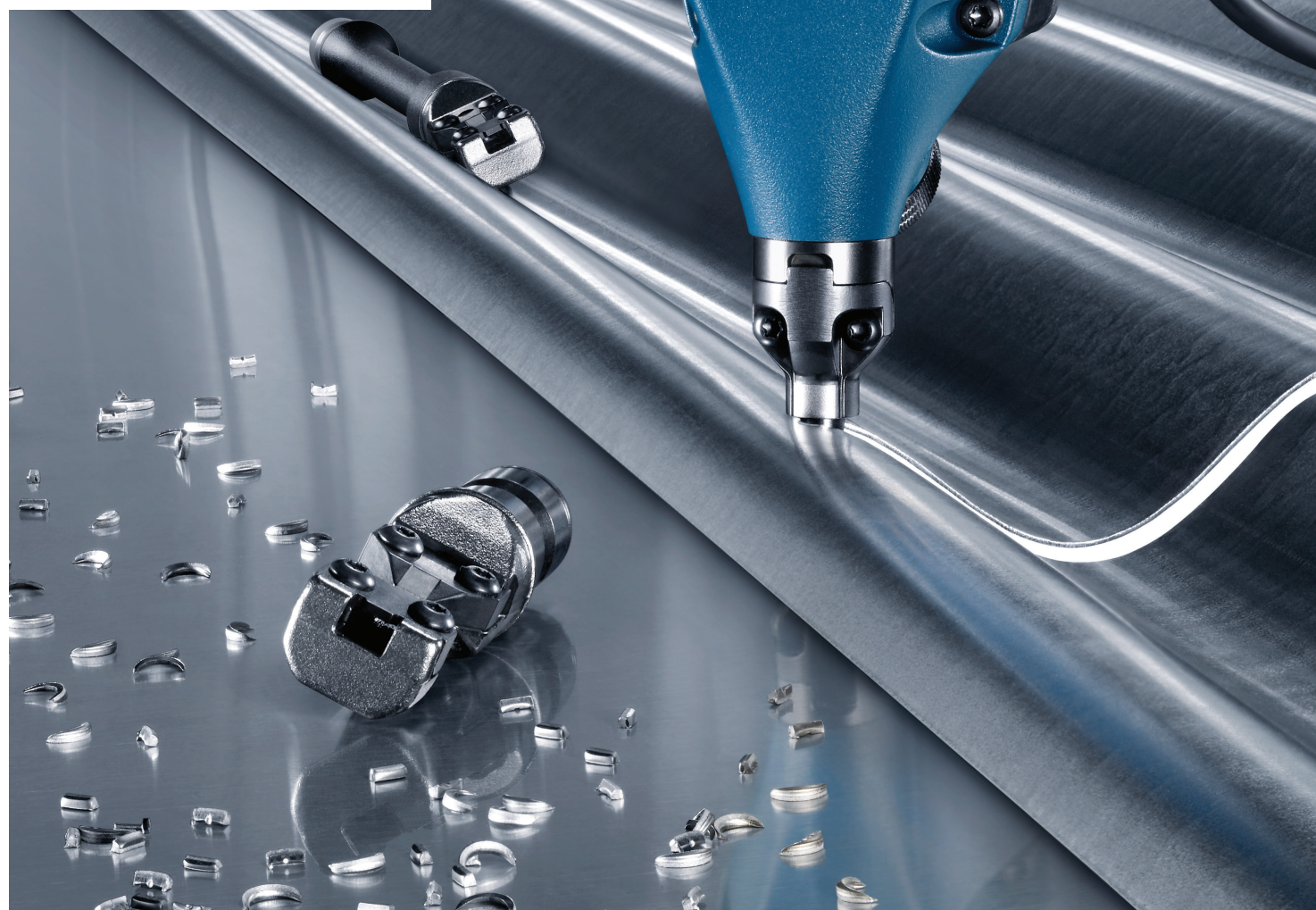


TruTool

# 1 machine 3 tools

The new 2 mm nibbler and  
profile nibbler from TRUMPF







### For maximum flexibility

For flexibility on the job, professional machinists rely on TRUMPF's three new nibblers, which are built on the same multi-functional machine base.

In other words, you can choose from any of the three nibblers: the TruTool N 200 nibbler, the PN 200 profile nibbler or the PN 201 profile nibbler, and then have the option of adding another tool later on. Each power tool works to its strength for cutting a variety of sheet thicknesses or material types.

Even interior cut-outs, notching and modifications are no challenge for TRUMPF nibblers.

### Easily cuts sheets up to 2 mm

All three nibblers can cut sheet thicknesses up to 2 mm in mild steel, making them the unrivalled leaders for corrugated roofing up to 162 mm deep. Their performance is especially impressive when cutting double sheets which usually requires a particularly powerful machine.

### Lightweight and exceedingly fast

Weighing just 1.8 kg, these power tools are comfortable to hold and require a minimal amount of cutting force.

The TruTool N 200 is distinguished in its class by its high cutting speed, with an unbeaten 1.7 meters per minute through 2 mm mild steel.

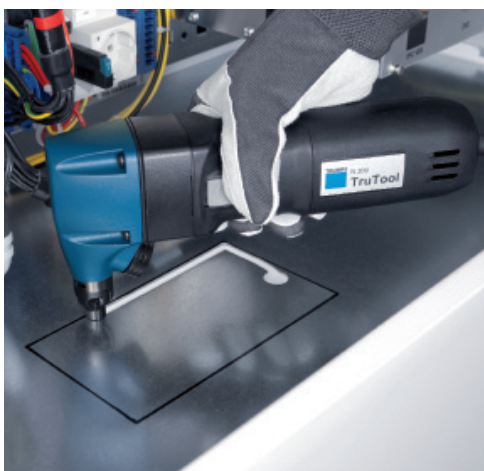
The two profile nibblers – the PN 200 and PN 201– enable you to work just as quickly, cutting 2 mm thick mild steel at 2.1 and 2.2 meters per minute, respectively.

### Tool-free changes

It's easy and takes just seconds to change the cutting direction, change the tool or replace the punch.

And, all of this is possible without additional tools or other equipment.

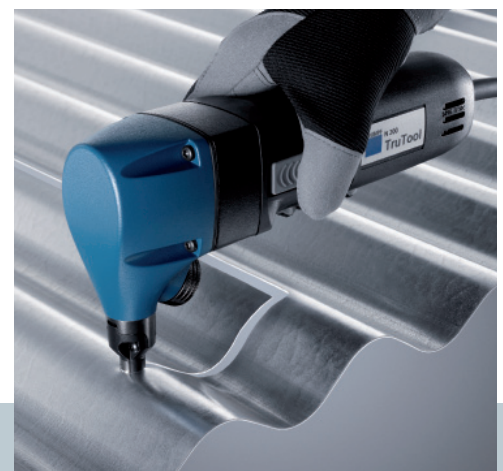
### Quick & Easy



Works well in hard-to-access areas



Diagonal cutting on deep corrugated roofing



Highest curve maneuverability



## Maneuverability made easy

These nibblers are also easy to maneuver in difficult-to-access areas and the working direction can be adjusted quickly, without additional tools. This power tool can even be rotated 360°.

With its hollow round punch, the TruTool N 200 nibbler is so maneuverable it can rotate on the spot.

The two profile nibblers are also well suited for cutting deep corrugated roofing up to 162 mm. Their high curve and profile flexibility means you can change the cutting direction at any time.

## Perfect cutting quality

Our nibblers cut sheet metal without damaging the surface, without burrs, and are distortion-free.

Very little refinishing work is required ensuring consistently high-quality cut edges.

## A glance at the benefits

- 1 One machine – three tools
- 2 Cuts mild steel up to 2 mm thick
- 3 Easy to maneuver, even on corrugated roofing
- 4 The fastest of its class
- 5 Comfortable to work with due to its light weight



Notching and interior cut-outs



Cut-to-fit cable trays



Cutting to patterns

## Accessory TruTool N 200, PN 200 and PN 201

Article	Order number	TruTool		
		N 200	PN 200	PN 201
Punch and nibble oil for Alu 1000ml	0125874	▪	▪	▪
Punch and Nibble oil for steel 500ml	0103387	▪	▪	▪
Grease "G1" 25g	0344969	▪	▪	▪
Grease "G1" 900g	0139440	▪	▪	▪
Chip bag	0088622	▪		

## Wear parts TruTool N 200, PN 200 and PN 201

Article		Order number	TruTool		
			N 200	PN 200	PN 201
Punch	Set of 5	1264176	▪		
Die	Set of 2	1264393	▪		
Die	Set of 5	1264394	▪		
Set Standard N 1x Die, 2x punch	1 set	0961961	▪		
Punch guide	1 piece	0945692	▪		
Punch	Set of 5	1315713		▪	▪
Punch	Set of 10	1264146		▪	▪
Die	Set of 2	1264153		▪	▪
Die	Set of 5	1264154		▪	▪
Die P1 for sheet thickness up to 1 mm	1 piece	1213131		▪	▪
Set Standard PN 2x Punch, 1x die, 2x wearing plate	1 set	1429289		▪	▪
Punch guide	1 piece	0945697		▪	▪
Punch guide	Set of 2	1264367		▪	▪
Wearing plate	Set of 2	1429275		▪	▪
Wearing plate	Set of 5	1429276		▪	▪
Tool N 200	1 piece	1750694	▪	▪	▪
Tool PN 200	1 piece	1750693	▪	▪	▪
Tool PN 201	1 piece	1750692	▪	▪	▪



Die N 200



Punch N 200



Punch guide N 200



Chip bag N 200



Tool N 200



Die  
PN 200, PN 201



Die P1  
PN 200, PN 201



Punch  
PN 200, PN 201



Punch guide  
PN 200, PN 201



Wearing plate  
PN 200, PN 201



Tool PN 200



Tool PN 201



TRUMPF Box S1

### Robust

Aluminium cast housing and solid metal gears makes these power tools extremely durable and stable.

### Lightweight

Weighing just 1.8 kg, these machines are comfortable to hold and require a minimal amount of cutting force.

### Lean

The sleek and lean housing guarantees the highest maneuverability and allows access to narrow and hard-to-reach areas, such as when cutting deep corrugated roofing up to 162 mm.

### Quick & Easy

#### Tool-free changing of tools

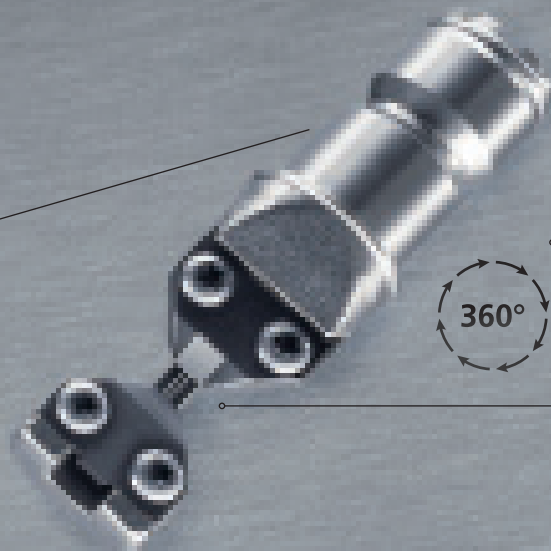
Tools can be switched quickly and easily. The TruTool N 200 nibbler, for example, can be upgraded to the PN 200 profile nibbler or the PN 201 and vice versa.

### Ventilation slots and protective grating

Protects the motor from chips.



Tool N 200



Tool PN 200





### Strong and durable

Motor with 550-W output. For fast work, up to 2.2 meters per minute in mild steel (400 N/mm<sup>2</sup>).

### Sliding switch

Keeps the motor switch in place and prevents the motor from accidentally being shut down during a work step.

### Quick & Easy

### Tool-free cutting direction change

Can rotate 360° for applications in difficult-to-access areas. The working direction can be changed easily without requiring tools.

360°

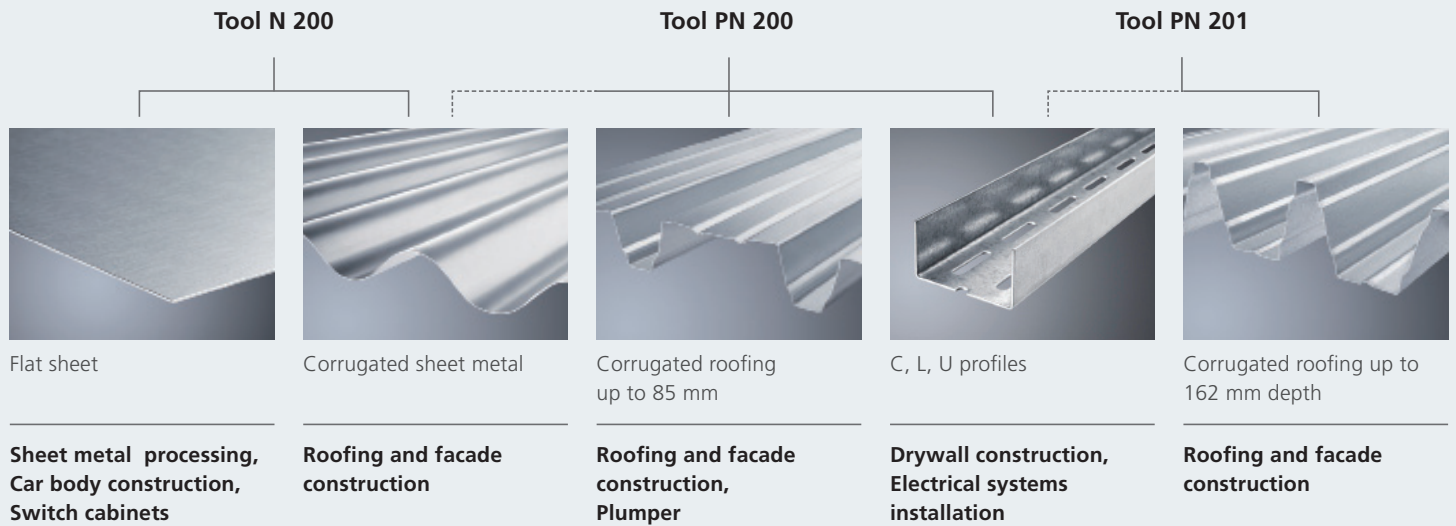
### Quick & Easy

### Tool-free punch change

Simple and fast punch change keeps change times to a minimum.

Tool PN 201

The different tools can be used on all three machines



## Order number machines

Country	Version	Nibbler TruTool N 200	Profile nibbler TruTool PN 200	Profile nibbler TruTool PN 201
D	230 V 50/60 Hz	1751743	1751836	1751841
CH	230 V 50 Hz	1751806	1751837	1751843
GB	110 V 50 Hz	1751805	1751839	1751846
USA	120 V 50/60 Hz	1751777	1751838	1751845
J	100 V 50/60 Hz	1751807	1751840	1751847

## Included

Nibbler TruTool N 200	Profilnibbler TruTool PN 200	Profilnibbler TruTool PN 201
Punch	Punch	Punch
Die	Die	Die
Punch guide	Punch guide	Punch guide
Tool N 200	Wearing Plate	Wearing plate
Screwdriver TX20	Tool PN 200	Tool PN 201
TRUMPF Box S1	Screwdriver TX20	Screwdriver TX20
	TRUMPF Box S1	TRUMPF Box S1

## Technical data

Max. sheet thickness		TruTool		
		N 200	PN 200	PN 201
Steel 400 N / mm <sup>2</sup>	mm	2	2	2
Steel 600 N / mm <sup>2</sup>	mm	1,5	1,5	1,5
Steel 800 N / mm <sup>2</sup>	mm	1	1	1
Aluminium 250 N / mm <sup>2</sup>	mm	2,5	3	3
Working speed (for 2 mm steel 400 / mm <sup>2</sup> )	m / min	1,7	2,1	2,2
Min. start hole diameter	mm	17	24	24
Smallest radius	mm	4	50	50
Rated input power	W	550	550	550
Strokes at nominal load	1 / min	1450	1500	1550
Weight without cable	kg	1,8	1,8	2

**5** Garantie  
Warranty  
Garanzia  
Garantía



## 5-year warranty

5-year warranty for newly acquired power tools.

The standard warranty period of your machine can now be extended to five years completely free of charge. The only requirement is that the power tool must be registered within four weeks of the date of purchase.

The fastest and easiest way of registering and getting the 5-year warranty is to visit [www.warranty-powertools.trumpf.com](http://www.warranty-powertools.trumpf.com). You also may send in your registration by fax or mail. Use the registration form included with your power tool.

## TRUMPF Box – with system

These power tools are stored in stable and shock-proof ABS plastic boxes. TRUMPF boxes come in different sizes and can be stacked on top of one another and snapped together in one step. This makes your job easier, especially on the job site, because several tools can be easily transported at once. Since the power tool model label is located on the outside of the TRUMPF box you always know which power tool is in which box.

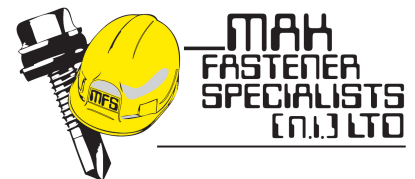
One additional advantage: As a result of special locks, each box can be opened separately without having to remove it from the stack.

Your local distributor:

MAK Fastener Specialists (NI) Ltd  
Unit 3D · Parkway Trading Est · Barton Dock Rd · Stretford · Manchester, M32 0TL  
Tel +44 (0)161 866 8164 · Fax +44 (0)161 866 9963  
E-Mail [uksales@makfasteners.com](mailto:uksales@makfasteners.com) · Web [www.makfasteners.com](http://www.makfasteners.com)

Northern Ireland Office

17D Derryloran Ind Est · Sandholes Rd · Cookstown · Co. Tyrone · BT80 9LU  
Tel +44 (0)28 86758574 · Fax +44 (0)28 86758578  
E-Mail [salesni@makfasteners.com](mailto:salesni@makfasteners.com)



TRUMPF Limited

Unit A President Way · Airport Executive Park · Luton LU2 9NL  
Phone +44 1582 725335 · Fax +44 1582 399261  
E-Mail [tooling@uk.trumpf.com](mailto:tooling@uk.trumpf.com) · Homepage [www.trumpf.com](http://www.trumpf.com)

