

# AccuBird®

## The well-proven Blind rivet setting tool, now with new Li-Ion energy



### AccuBird® – Reliability

- Electronic control
- No mechanical switching components
- Electronic temperature and overload protection
- High reliability through low loss power transmission via a highly efficient ball screw drive

### AccuBird® – Freedom

Cablefree tool for flexible operation in installation jobs and industry production

### AccuBird® – High performance

- High pulling force for safe setting of blind rivets up to 5 mm diameter in all materials
- High yield per battery charge
- 20 mm stroke

### AccuBird® – Ergonomy

- Fatiguefree working through well balanced weight repartition and ergonomic grip

### AccuBird® – Versatility

Blind rivets up to 5 mm Ø all materials. BULB-TITE® Blind rivets 4; 5,2 and 6,3 mm Ø Alu and Steel



AccuBird® with 14,4 V/1,3 Ah battery and charger, in metall carrying case **Art-Nr. 725 0037**  
AccuBird® with 14,4 V/1,3 Ah battery and charger, in cardboard box **Art-Nr. 725 0029**  
AccuBird® with 14,4 V/1,3 Ah, in cardboard box **Art-Nr. 725 0010**

**CE-Conformity:**  
Machine safety acc. to EU-Directive N° 2006/42/ EG

### AccuBird® – With new Li-Ion Energy

- Choice of 1,3 Ah and 2,6 Ah Li-Ion batteries
- No memory-effect
- High energy yield through high voltage and low weight increase ease and speed of operation
- Very low self-discharge
- New battery shape allow the tool to be stored standing on its battery

### AccuBird® – Cleverly designed

- Exchange nosepieces and wrench always in the tool
- Compact, shockproof tool housing
- Broken mandrel evacuation into the mandrel container through back tilting or forwards through the nosepiece by gravity

### AccuBird® – High speed

- High speed of operation through automatic resetting of the jaw mechanism immediately after each setting process

GESIPA Blind Riveting Systems Ltd  
Dalton Lane, Keighley  
West Yorkshire BD21 4JU  
United Kingdom

Phone + 44 (0)1535 212200  
Fax + 44 (0)1535 212232  
Internet <http://www.gesipa.co.uk>  
E-Mail [info@gesipa.co.uk](mailto:info@gesipa.co.uk)

**GESIPA®**

## The well-proven blind rivet setting tool, now with new Li-Ion Energy

### AccuBird® – Technical characteristics

Drive:	DC-motor
Pulling force:	8.500 N
Stroke:	20 mm
Weight (incl. 1,3 Ah battery):	2,0 kg (4,4 lbs)

### Batteries

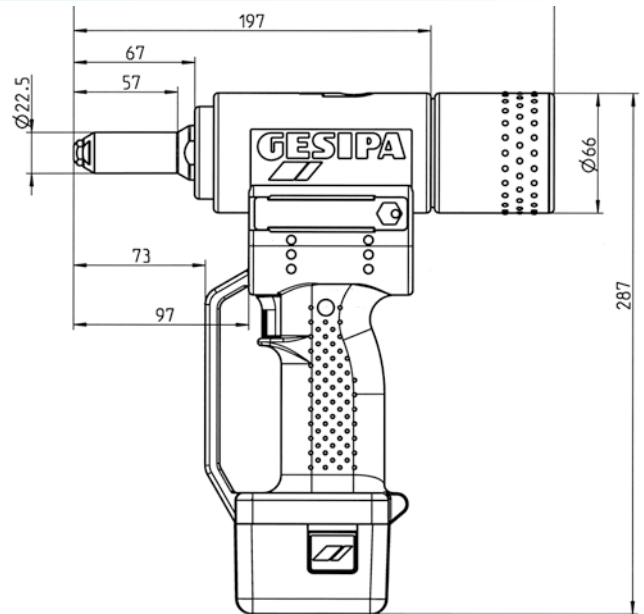
Nominal voltage:	14,4 V
Capacity:	1,3 Ah / 2,6 Ah
Number of cells:	4 / 8
Cell type:	Li-Ion
Weight:	0,35 / 0,5 kg (0,77 / 1,1 lbs)

**P/N 1,3 Ah battery** **725 1045**  
**P/N 2,6 Ah battery** **725 1049**

### Battery charger

Primary voltage:	230V/50Hz
Charging time (full charge):	50 to 100 minutes (acc. to battery type)
Weight:	0,6 kg (1,32 lbs)
<b>P/N</b>	<b>725 1134</b>

### AccuBird® – Dimensions



### Nosepiece allocation - Typical performance per charge

Blind rivet Ø in mm	Material	pcs/battery charge (1,3 Ah)	Nosepiece	P/N
2,4	Alu	<b>1.500</b>	17/18*	725 2075
3,2	CAP-Alu, CAP-CU	<b>1.100</b>	17/18*	725 2075
3 and 3,2	Alu	<b>800</b>	17/24	725 1583
3 and 3,2	Steel	<b>800</b>	17/24	725 1583
3 and 3,2	Stainl. Steel	<b>800</b>	17/24	725 1583
4	Alu	<b>800</b>	17/24	725 1583
4	Steel	<b>700</b>	17/27	725 2040
4	Stainl. Steel	<b>640</b>	17/29	725 2059
4,8 and 5	Alu	<b>550</b>	17/29	725 2059
4,8 and 5	Steel	<b>420</b>	17/32	725 2067
4,8 and 5	Stainl. Steel	<b>320</b>	17/36*	725 2083
6	Alu	<b>240</b>	17/36*	725 2083

### BULB-TITE® Blind rivets

4	Alu/Alu	<b>1.000</b>	17/26 BT*	725 2202
5,2	Alu/Alu	<b>800</b>	17/32 BT*	725 2210
6,3	Alu/Alu	<b>600</b>	17/42 BT*	725 2229
6,3	Steel/Steel	<b>300</b>	17/42 BT*	725 2229

\* Available as special accessory.  
Special nosepieces available on request.



Your partner :