

JUAL Ventilation cowl

20 x 20 cm 0°

**Application:**

The JUAL ventilation cowl is a generic and secure watertight solution for terminating ventilation outlets which penetrate the roofing membrane. The cowl is designed for installation on roofs with weld-able bituminous and synthetic foil membranes.

Material:

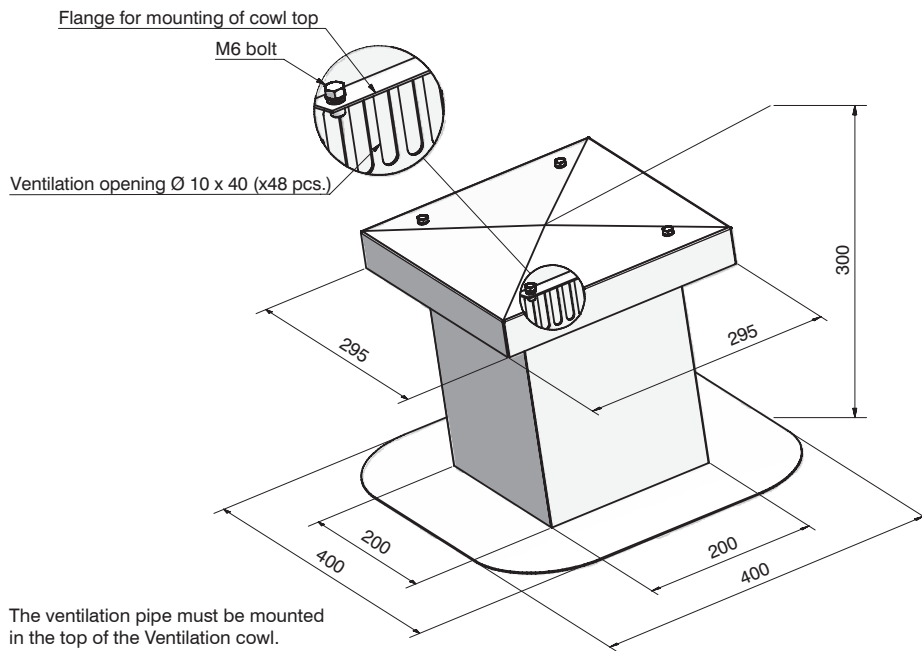
The JUAL Ventilation cowl can be supplied in 3 material versions:
Zinc 14 (thickness = 0,8 mm)
Aluminum – powder coated black (thickness = 1,25 mm)
Stainless steel – AISI316 (thickness = 0,5 mm)

Type	Units	Part no.
JUAL Ventilation cowl 20 x 20 cm, stainless steel	1 pcs.	(78000)
JUAL Ventilation cowl 20 x 20 cm, stainless steel w/insulation	1 pcs.	(78000iso)
JUAL Ventilation cowl 20 x 20 cm, Zinc 14	1 pcs.	(79020-14)
JUAL Ventilation cowl 20 x 20 cm, Zinc 14 w/insulation	1 pcs.	(79020-14iso)
JUAL Ventilation cowl 20 x 20 cm, black, powder-coated alu.	1 pcs.	(81020)
JUAL Ventilation cowl 20 x 20 cm, black, powder-coated alu. w/insl.	1 pcs.	(81020iso)

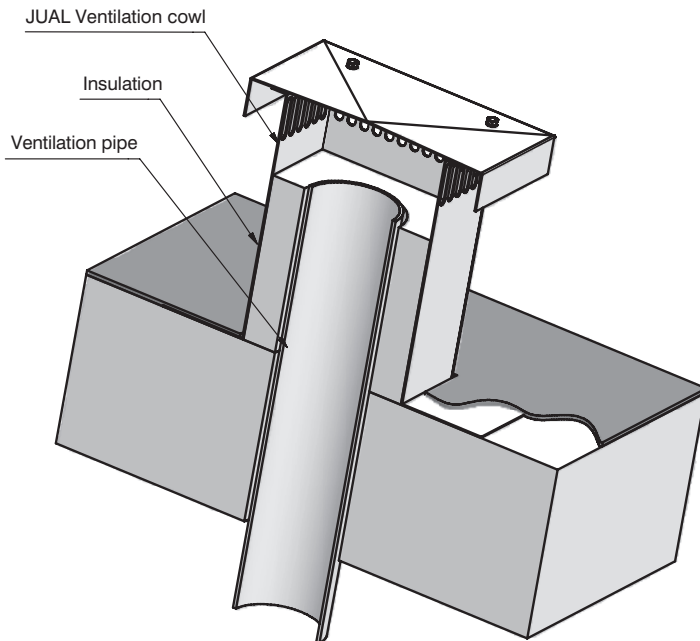
Installation:

The JUAL Ventilation cowl is manufactured with a horizontal flange which has been prepared for welding of most bituminous and synthetic foil membranes. The cowl can also be delivered with a 10 mm mineral wool insulation as an effective protection against condensation on the internal surfaces. For the installation JUAL recommends the use of the JUAL Protective Cowl – see separate data sheet.

Technical specifications:



Installation:



JUAL recommends that the insulation is brought up to about 10 mm below the ventilation openings.