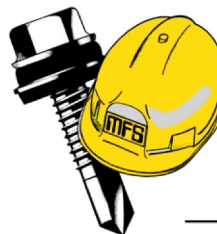


MAK Dublin:
Tel: 01-4519900 / Fax: 01-4519004
E-Mail: sales@makfasteners.com

MAK Cork:
Tel: 021-4342890 / Fax: 021-4342396
E-Mail: corksales@makfasteners.com

MAK (NI):
Tel: 028-867 58574 / Fax: 028-867 58578
E-Mail: salesni@makfasteners.com

MAK (UK):
Tel: 0161-866 8164 Fax: 0161-866 9963
E-Mail: uksales@makfasteners.com



**MAK
FASTENER
SPECIALISTS
LTD**



**INSULATION &
MEMBRANE TO
CONCRETE DECK**



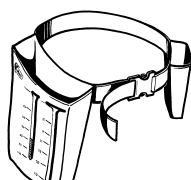




CS 6.1

PRODUCT DESCRIPTION

- Hi-Lo Thread
- For use with Guardian Tube system
- Minimum Embedment 25mm
- 5.0mm Pre-Drill Hole Diameter
- Packed in buckets
- ETA Approval 08/0285
- FM Approval No. 3034551



Code	Description
19-CS-61070	6.1x70mm Guardian CS Roofing Screw
19-CS-61080	6.1x80mm Guardian CS Roofing Screw
19-CS-61090	6.1x90mm Guardian CS Roofing Screw
19-CS-61100	6.1x100mm Guardian CS Roofing Screw
19-CS-61120	6.1x120mm Guardian CS Roofing Screw

Setting Tools		
Code	Description	
17-300004	Guardian Blue Pouch 	R75 Standard ✓ 
17-303001	500mm SDS Drill Extension 	
17-303003	5.0x50mm SDS Cutter 	RB48 Standard ✓ R45 Standard ✓ 
82-TORX25150	