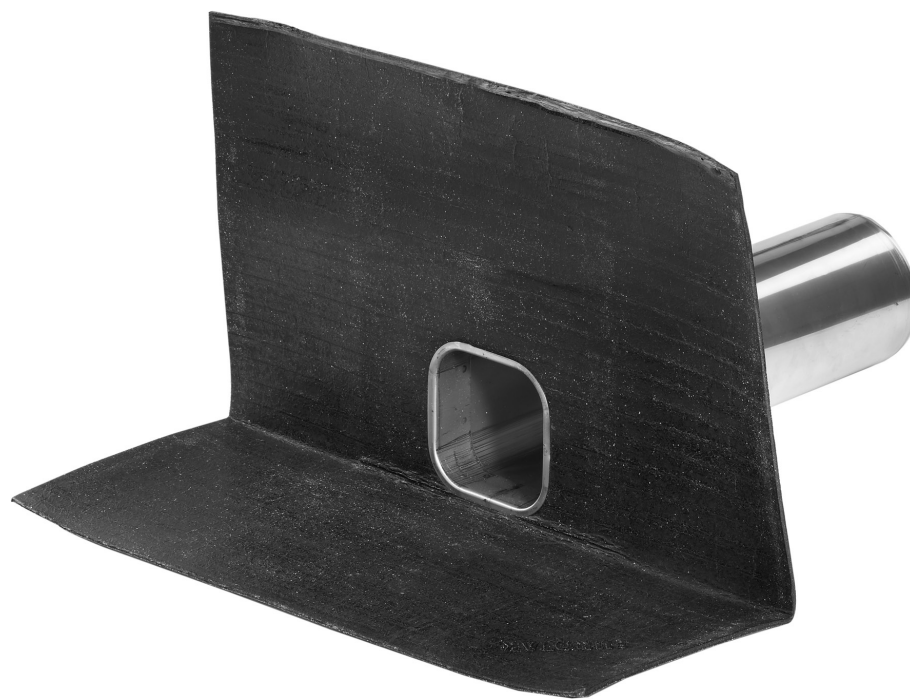


JUAL Bitumen / Steel horizontal roof outlet



Application:

Drainage of bituminous roof areas with horizontal drain pipes through wall parapets.

Material:

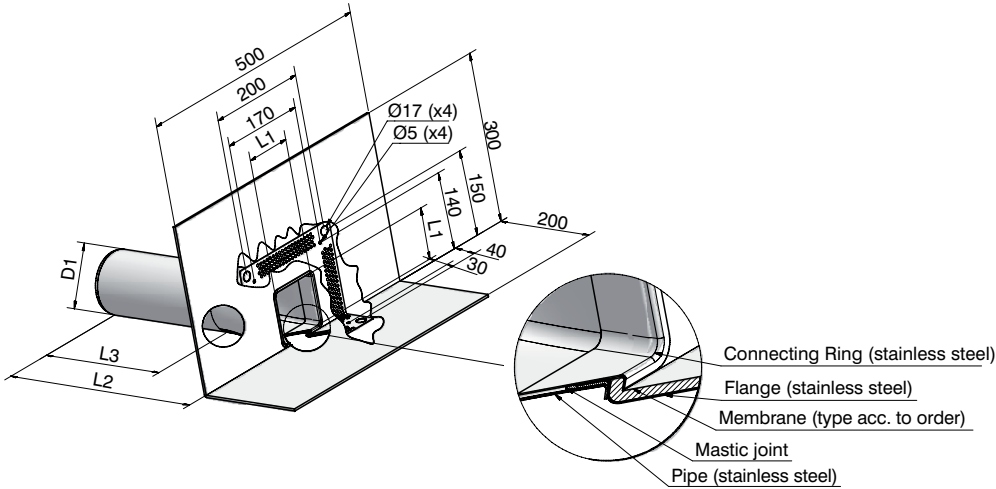
Membrane: The type of the integrated bituminous membrane can be specified for each specific project.

Pipe: Stainless steel

Flange: Stainless steel

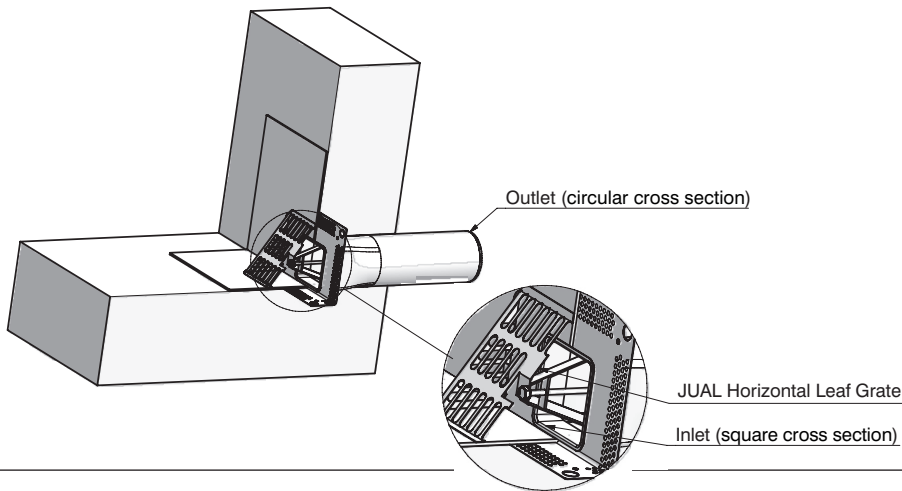
| Type | | Ø (mm) | 250 mm pipe | 400 mm pipe | 600 mm pipe |
|---------|------------|--------|-------------|--------------|--------------|
| JUAL PS | 40 x 40 mm | 50 mm | (71050H) | (71050-400H) | (71050-600H) |
| JUAL PS | 63 x 63 mm | 75 mm | (71075H) | (71075-400H) | (71075-600H) |
| JUAL PS | 78 x 78 mm | 90 mm | (71090H) | (71090-400H) | (71090-600H) |
| JUAL PS | 95 x 95 mm | 110 mm | (71110H) | (71110-400H) | (71110-600H) |

Technical specifications:



Installation:

| Diameter | Inlet dimension (L1 x L1) | Total pipe length | | | Circular length | | |
|----------|------------------------------|-------------------|-----|-----|-----------------|-----|-----|
| | | L2 | | | L3 | | |
| Ø 50 | 40 | 250 | 400 | 600 | 145 | 295 | 495 |
| Ø 75 | 63 | 250 | 400 | 600 | 145 | 295 | 495 |
| Ø 90 | 78 | 250 | 400 | 600 | 145 | 295 | 495 |
| Ø110 | 95 | 250 | 400 | 600 | 105 | 255 | 455 |



JUAL Bitumen / Steel horizontal roof outlets are packed and delivered according to the ordered quantities:

JUAL Horizontal outlets are made for connection with standard socket pipes. The horizontal product range contains the following dimension:

| External diameter: | Type: | Socket pipe diameter |
|--------------------|---------|----------------------|
| Ø 50 mm | JUAL PS | 50 mm |
| Ø 75 mm | JUAL PS | 75 mm |
| Ø 90 mm | JUAL PS | 90 mm |
| Ø 110 mm | JUAL PS | 110 mm |

The production method of the outlet pipe ensures that no hard edges are present and that the pipe end is round and smooth. This pipe design result in a secure tight joint into standard pipe sockets with rubber seals.

Outlet pipe

The pipe for the JUAL horizontal roof outlet is manufactured in an acid proof stainless steel quality AISI316. The pipe is available in the standard lengths 250 mm, 400 mm and 600 mm.

Leaf grate:

The JUAL Bitumen/steel horizontal roof outlets are delivered with the JUAL horizontal leaf grate. Please refer to the specific data sheet for technical details.

Drain capacity

The drain capacity of an outlet system strongly depends of the leaf grate in use. Please refer to the separate data sheet for the dewatering values.

General information

The JUAL Bitumen/steel horizontal roof outlet is manufactured after EN1253 with requirements from EN1124. These standards set the present requirements for the series production of roof outlets and stainless steel pipes as well as the requirements for the structural design.