

S-5![®]

The Right Way!

S-5-K Clamp

The **S-5-K** and **S-5-K Mini** clamps are designed for use on Lysaght[®] Klip-Lok[®] 406, McElroy Mirage, Metal Sales Clip-Loc, AEP Span Klip-Rib[®] and roofing types with similar profiles.

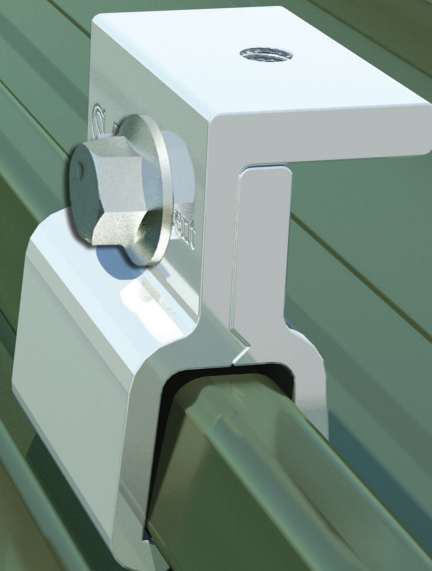
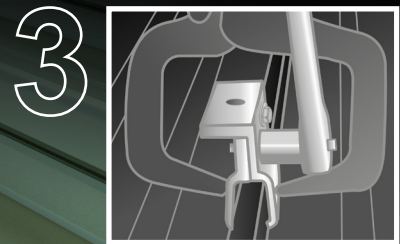
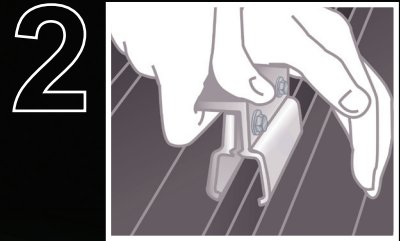
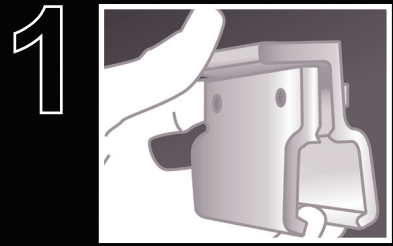
For load critical applications such as snow retention and attaching solar panels, the assembly should be specifically engineered to each individual project to ensure maximum hold. See www.S-5.com for full details.

Installation is as simple as mating the clamp halves and starting the M8 bolts. Position clamp on seam and tighten the two M8 bolts with a ratchet or electric tool while securing the clamp with a locking C-clamp.

S-5-K Mini Clamp

The S-5-K Mini is a bit shorter than the original S-5-K and has one M8 bolt rather than two. The Mini is the choice for attaching all kinds of rooftop accessories: signs, walkways, satellite dishes, antennas, rooftop lighting, lightning protection systems, solar arrays, exhaust stack bracing, conduit, condensate lines, mechanical equipment—just about anything!*

*S-5! Mini clamps can be used with RamGard[®] unitized snow guards, but are not compatible and should not be used with S-5! SnoRail[™]/SnoFence[™] or ColorGard[™] snow retention systems.



The S-5-K clamp is designed for use on Klip-Rib[®], Klip-Lok[®] 406 and roofing types with similar profiles.

S-5-K and S-5-K Mini

888-825-3432 | www.S-5.com

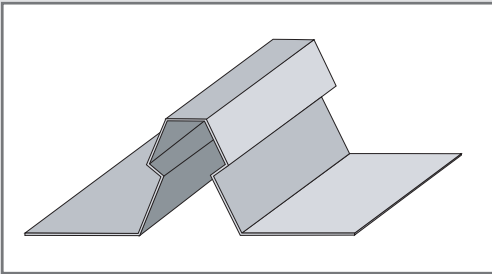
The right way to attach almost anything to metal roofs!

The strength of the S-5-K clamps is in their simple design. The mating halves do not pierce the metal seam material—leaving roof warranties intact.

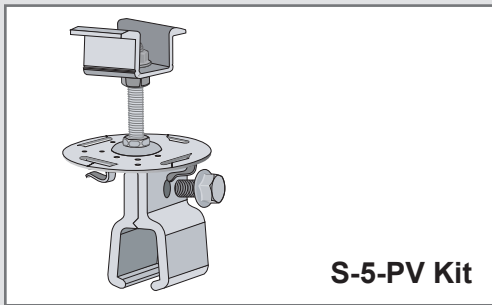
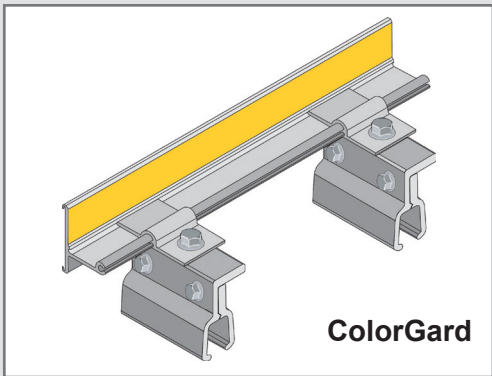
The **S-5-K and S-5-K Mini clamps** are furnished with the hardware shown to the right. Structural aluminum attachment clamps, the S-5-K and S-5-K Mini are compatible with most common metal roofing materials excluding copper. All included hardware is stainless steel. Please visit www.S-5.com for more information including CAD details, metallurgical compatibilities, and specifications.

The S-5-K and S-5-K Mini clamps have been tested for load-to-failure results on relevant profiles from leading manufacturers of panels. The independent lab test reports found on our website at www.S-5.com prove that S-5! holding strength is unmatched in the industry.

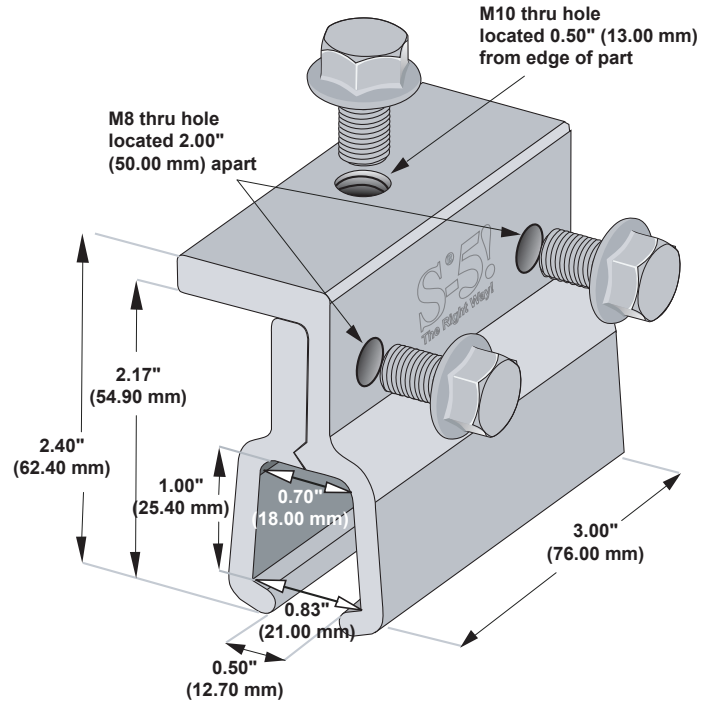
Example Profile



Example Applications

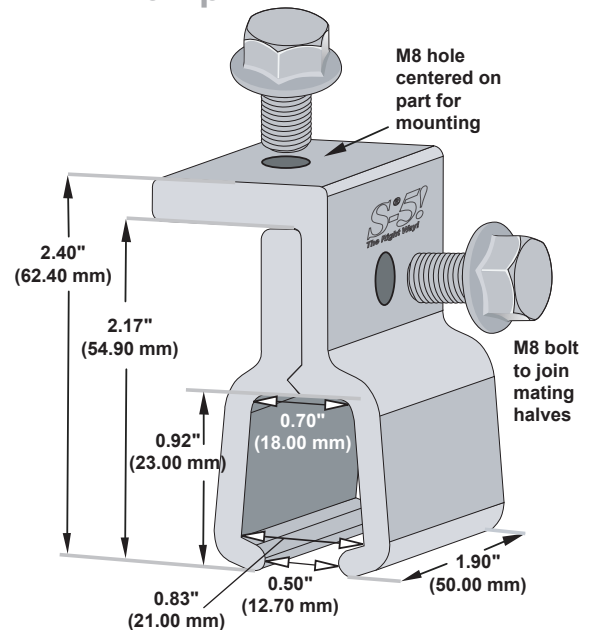


S-5-K Clamp



Please note: All measurements are rounded to the second decimal place.

S-5-K Mini Clamp



S-5! Warning! Please use this product responsibly!

Products are protected by multiple U.S. and foreign patents. For published data regarding holding strength, fastener torque, patents and trademarks visit the S-5! website at www.S-5.com.

Copyright 2011, Metal Roof Innovations, Ltd.
S-5! aggressively protects its patents, trademarks and copyrights.

Distributed by