

JUAL Steel/steel roof outlet



The product is tested
and certified according
to DS / EN1253.



Application:

Generic drainage solution, for roofs areas with various bituminous membrane types.

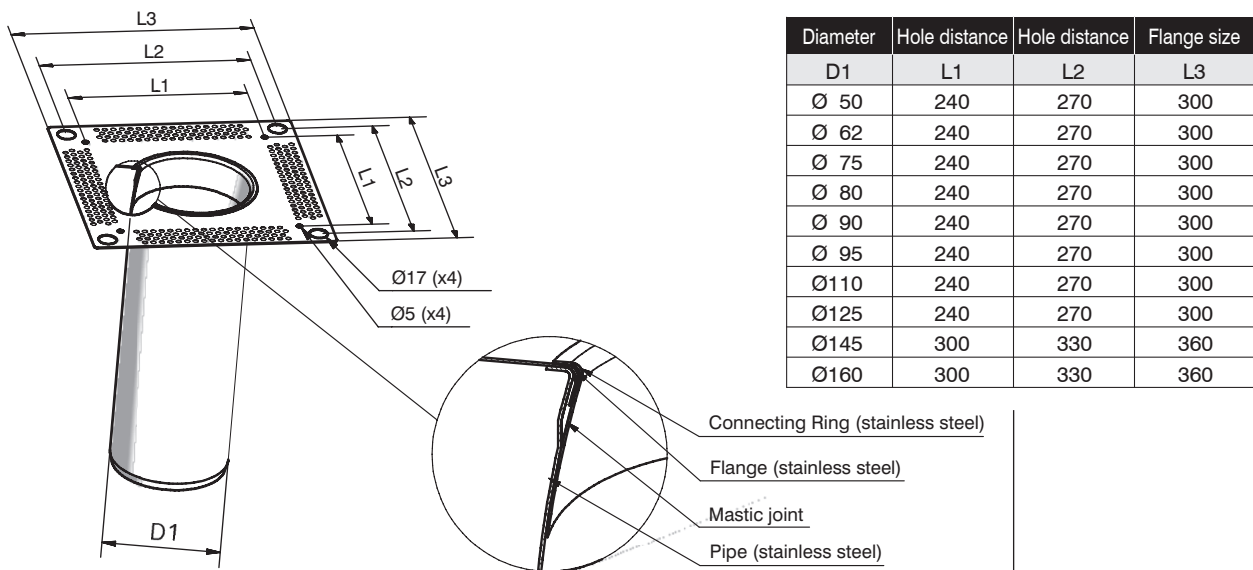
Material:

Pipe: Stainless steel

Flange: Stainless steel

The flange has been prepared with both holes and primer for optimum bituminous adhesion.

Type	Ø (mm)	250 mm pipe	400 mm pipe	600 mm pipe
JUAL SS 50 mm socket	50 mm	(69050)	(69050-400)	(69050-600)
JUAL SS 75 mm insertion	62 mm	(69062)	(69062-400)	(69062-600)
JUAL SS 75 mm socket	75 mm	(69075)	(69075-400)	(69075-600)
JUAL SS 90 mm insertion	80 mm	(69080)	(69080-400)	(69080-600)
JUAL SS 90 mm socket	90 mm	(69090)	(69090-400)	(69090-600)
JUAL SS 110 mm insertion	95 mm	(69095)	(69095-400)	(69095-600)
JUAL SS 110 mm socket	110 mm	(69110)	(69110-400)	(69110-600)
JUAL SS 125 mm socket	125 mm	(69125)	(69125-400)	(69125-600)
JUAL SS 160 mm insertion	145 mm	(69145)	(69145-400)	(69145-600)
JUAL SS 160 mm socket	160 mm	(69160)	(69160-400)	(69160-600)

Technical specifications:

JUAL Steel / steel roof outlets

Carton of 10 pieces, delivered with the following dimensions:

Outlets with O-ring for insertion into smooth pipes:

External diameter:	Type:	Smooth pipe diameter:
Ø 62 mm	JUAL SS	75 mm
Ø 80 mm	JUAL SS	90 mm
Ø 95 mm	JUAL SS	110 mm
Ø 145 mm	JUAL SS	160 mm

Outlets for connection with socket pipes:

External diameter:	Type:	Socket pipe diameter:
Ø 50 mm	JUAL SS	50 mm socket
Ø 75 mm	JUAL SS	75 mm socket
Ø 90 mm	JUAL SS	90 mm socket
Ø 110 mm	JUAL SS	110 mm socket
Ø 125 mm	JUAL SS	125 mm socket
Ø 160 mm	JUAL SS	160 mm socket

* The production method of the outlet pipe ensures that no hard edges are present and that the pipe end is round and smooth. This pipe design result in a secure tight joint into standard pipe sockets with rubber seals.

Outlet pipe:

The pipe for the JUAL roof outlet is manufactured in an acid proof stainless steel quality AISI316. The pipe is available in the standard lengths 250 mm, 400 mm and 600 mm. However, pipes with customer defined lengths are also available.

O-ring:

The O-ring is manufactured from EPDM rubber and it is included for all the insertion outlet products. The function of the O-ring is to ensure tightness between the drain pipe and the outlet pipe when outlets are inserted into pipes without sockets.

Draining capacity:

The drain capacity of an outlet system strongly depends of the leaf grate in use and the choice of leaf grate must therefore be considered carefully for each installation. Please refer to the separate data sheet for the dewatering values.

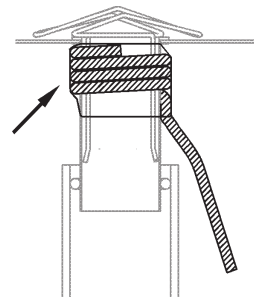
Leaf grate:

JUAL Steel roof outlets are by default delivered with the standard JUAL Leaf Grate Lightning. However the dimensions Ø125, Ø145 and Ø160 are delivered with the JUAL Universal Leaf Grate. Please refer to the specific data sheet for technical details on the different product solutions.

General information:

The JUAL Steel roof outlet is certified after EN1253 with requirements from EN1124. These standards set the present requirements for the series production of roof outlets and stainless steel pipes as well as the requirements for the structural design.

For the vertical JUAL roof outlets JUAL offers a 220VAC heating cable solution which can both be supplied premounted and as a separate kit. Please refer to the separate data sheet.


JUAL Steel / steel angular roof outlet.

Please refer to the separate data sheet.

