

JUAL PLASTIGEN Ventilation cowl

20 x 20 cm 0°



Application:

The JUAL Plastigen ventilation cowl is a generic and secure watertight solution for terminating ventilation outlets which penetrate the roofing membrane. The cowl is designed for installation on roofs with weldable bituminous and synthetic foil membranes.

Material:

The JUAL Plastigen Ventilation cowl can be supplied in 2 material versions:

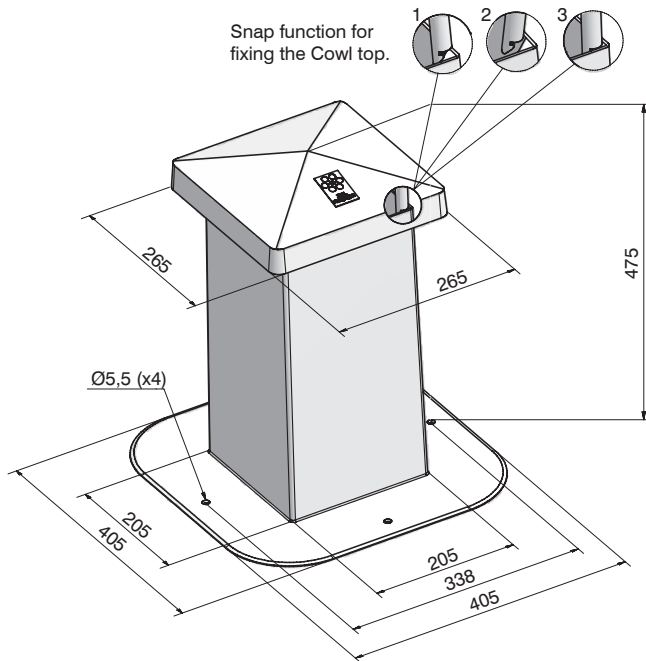
1. Plastic - ABS
2. Plastic - PVC

Type	Units	Part no.
JUAL PLASTIGEN Ventilation cowl 20 x 20 cm, ABS	10 pcs.	(50010)
JUAL PLASTIGEN Ventilation cowl 20 x 20 cm, ABS w/insulation	10 pcs.	(50010iso)
JUAL PLASTIGEN Ventilation cowl 20 x 20 cm, PVC	10 pcs.	(60009)
JUAL PLASTIGEN Ventilation cowl 20 x 20 cm, PVC w/insulation	10 pcs.	(60009iso)

Installation:

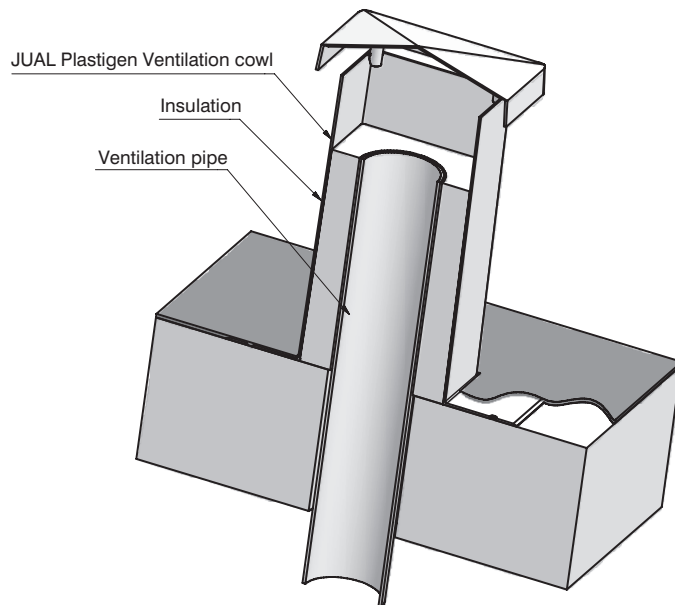
The JUAL Plastigen Ventilation cowl is manufactured with a horizontal flange which has been prepared for welding of most bituminous and synthetic foil membranes. The cowl can also be delivered with a 10 mm mineral wool insulation as an effective protection against condensation on the internal surfaces. For the installation JUAL recommends the use of the JUAL Protective Cowl – see separate data sheet.

Technical specifications:



The ventilation pipe must be mounted in the top of the Ventilation cowl.

Installation:



JUAL recommends that the insulation is brought up to about 10 mm below the ventilation openings.